

---

# Accessories



LD0350RB  
Contact charging base  
(Poldina, Poldina mini)  
\$30



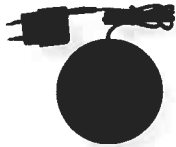
LD0490RB  
Contact charging base  
(Poldina micro)  
\$XX



LD0390RB  
Contact charging base  
(Poldina L)  
\$XX



LD0360RB  
Contact charging base  
(Poldina XXL)  
\$50



LD0850RB  
Contact charging base  
(Olivia, Olivia mini)  
\$25



LD0870RB  
Contact charging base  
(Ofelia)  
\$25



LD0650RB  
Contact charging base  
(Pina)  
\$25



LD0610RB  
Contact charging base  
(Dama USB)  
\$30



LD0900RB  
Contact charging base  
(Olimpia)  
\$35



LD1010RB  
Contact charging base  
(Swap)  
\$XX

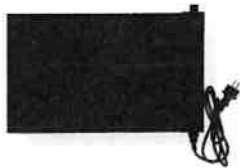


LD1011RB  
Contact charging base  
(Swap mini)  
\$XX

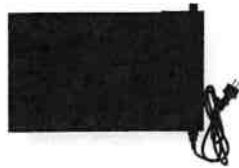


LD0258RB  
Contact charging base  
(Home)  
\$XX

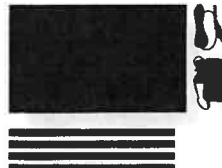
# Charging Bases



LD0350RP  
Multi-contact charging base  
6pcs (Poldina, Poldina mini,  
Pina, Swap, Swap mini, Home,  
Dama, Olimpia)  
\$150



LD0490RP  
Multi-contact charging base  
12pcs (Poldina micro)  
\$225



LD0870RP  
Multi-contact charging base  
6pcs (Olivia, Olivia mini, Ofelia)  
\$150



LD0340RA  
Multi-socket USB charger 8pcs  
\$60



LD0800CS  
Charger with a 3.5/1.3  
connector (page 150)  
(Pencil lighting module,  
Pencil charging base)  
\$XX



LD0490UA  
USB port power charger  
(Poldina micro, Swap mini)  
\$XX



LD0280UA  
Charger with Micro-USB input  
(Poldina lamp with peg,  
Poldina suspension lamp,  
Poldina wall lamp)  
\$XX



CBL0420010000000  
Charging cable with USB-c  
input  
(Sister Light)  
\$XX



LD0300KT  
Kit for mechanical affixing  
to a table  
(Sister Light table lamp)  
\$XX



LD0300KN  
Kit for magnetic affixing  
(Sister Light)  
\$XX

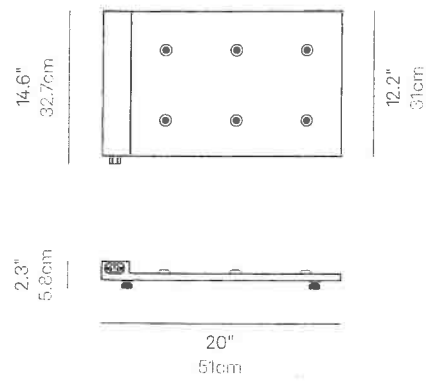


LD0300KM  
Kit for mechanical affixing  
(Sister Light)  
\$XX



LD0283B3  
LD0283R3  
LD0283N3  
Stem extension  
(Poldina lamp with peg)  
\$XX

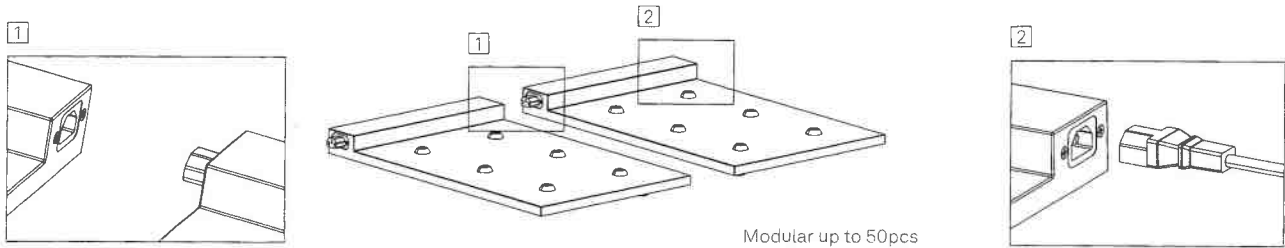
## Multi-contact charging base (Poldina, Pina, Swap, Home, Dama, Olimpia) 6pcs



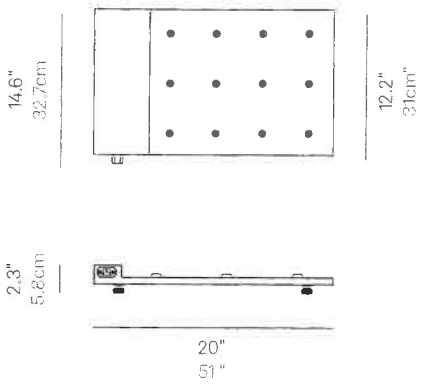
35W  
 INPUT: AC 220-240V | 50-60Hz  
 OUTPUT: 5Vdc - 5A (6 pcs.)

Modular multi-contact (max 6 pcs.) charging base: they can be connected in sequence to simultaneously charge multiple set of lamps. Particularly suitable for professional use.

→ LD0350RP



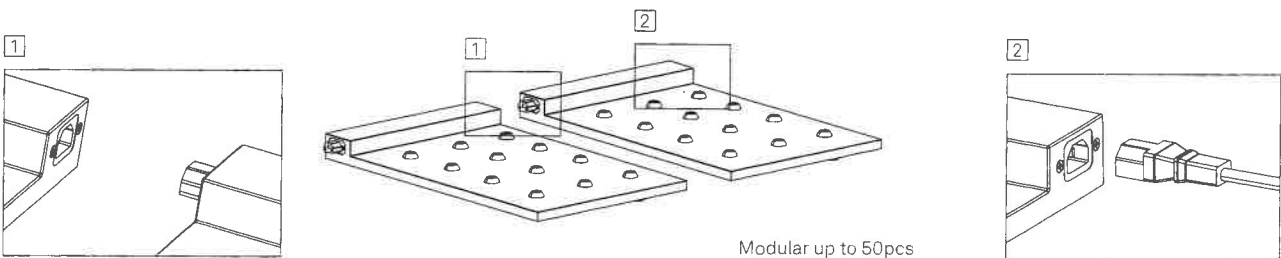
## Multi-contact charging base (Poldina micro) 12pcs



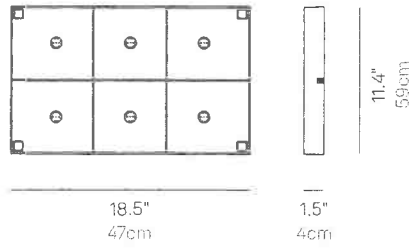
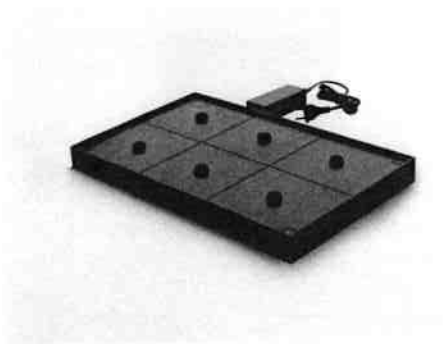
35W  
 INPUT: AC 100-240V | 50-60Hz  
 OUTPUT: 5Vdc - 5A (6 pcs.)

Modular multi-contact (max 12 pcs.) charging base: they can be connected in sequence to simultaneously charge multiple set of lamps. Particularly suitable for professional use.

→ LD0490RP



## Multi-contact charging base (Olivia, Ofelia) 6pcs

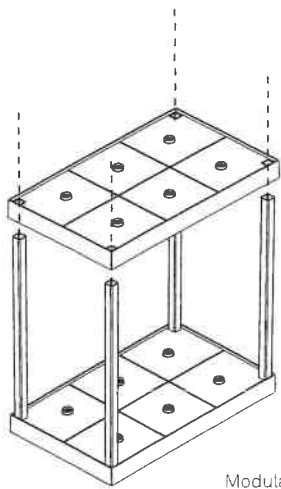


45W  
 INPUT: AC 100-240V | 50-60Hz  
 OUTPUT: 9Vdc

Modular multi-contact (max 6 pcs.) charging base: they can be stacked (up to max 3 levels) to simultaneously charge multiple set of lamps. Particularly suitable for professional use.

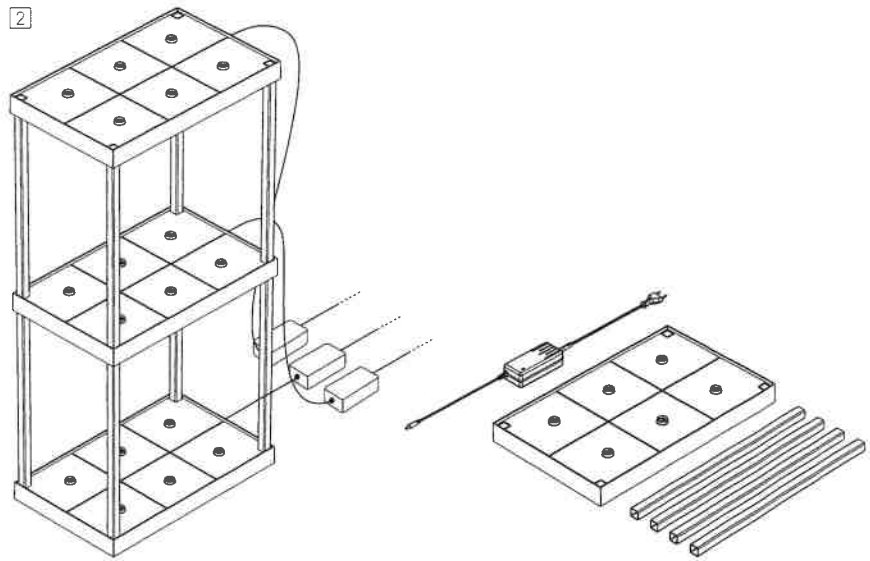
→ LD0870RP

1

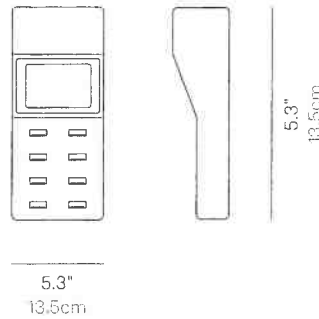
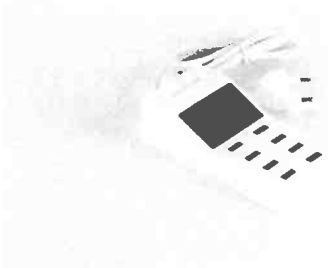


Modular up to 3 levels

2



## Multi-socket USB charger 8pcs



40W  
 INPUT: AC 100-240V | 50-60Hz  
 OUTPUT: 5Vdc - max 8A (8 pcs.)

USB multi-socket charger (8 x USB-A). Can charge of up to 8 devices simultaneously. A graphic display shows the level of the batteries being charged. Particularly suitable for professional use.

→ LD0340RA